

VENTILATION
SYSTEMS

VENTILATION
DUCTS

RECTANGULAR
DUCTS

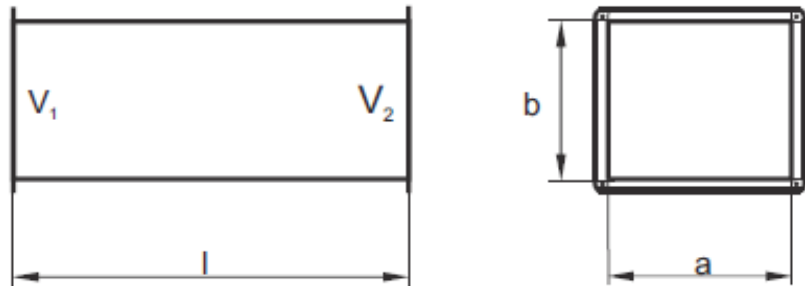


REDDEN Mariusz Nowotnik
ul. Galla Anonima 9/30
85-790 Bydgoszcz
POLAND

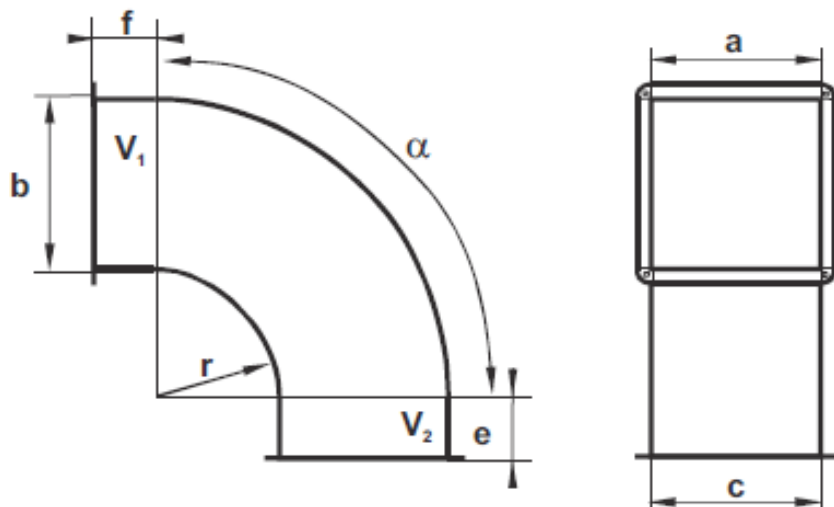
mobile: +48 507 175 752
e-mail: office@metalmachines.com.pl
www.metalmachines.com.pl

RECTANGULAR DUCTS

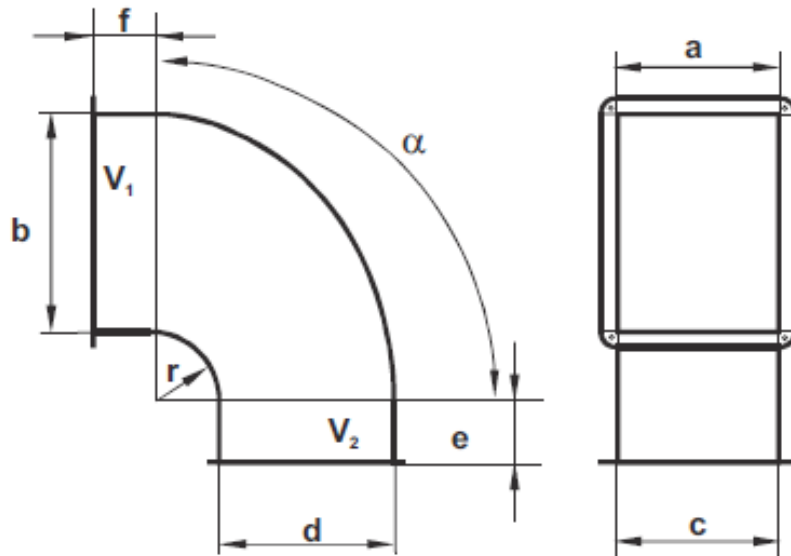
RECTANGULAR DUCT



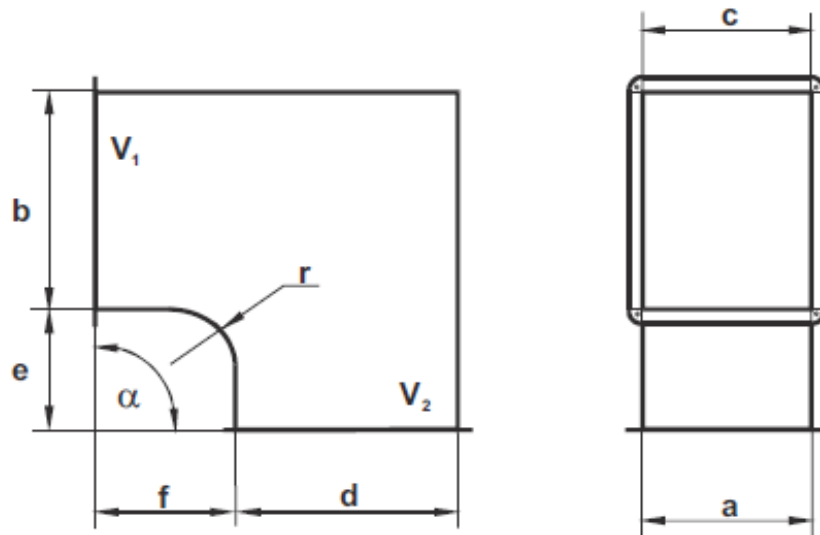
SYMMETRICAL BEND



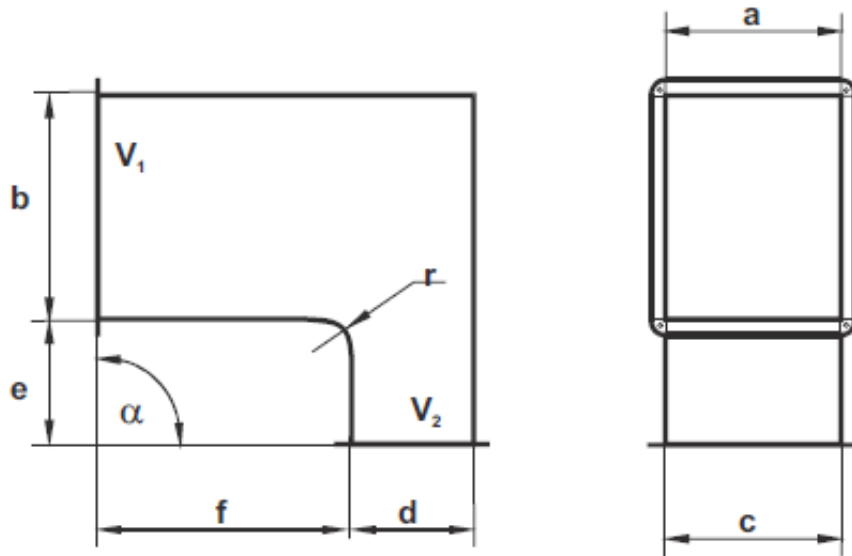
ASYMMETRICAL BEND



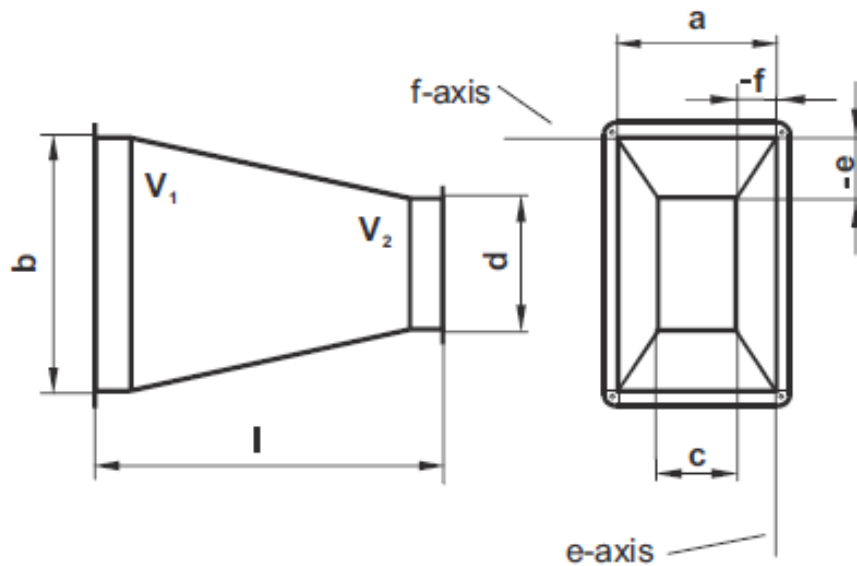
SYMMETRICAL ELBOW



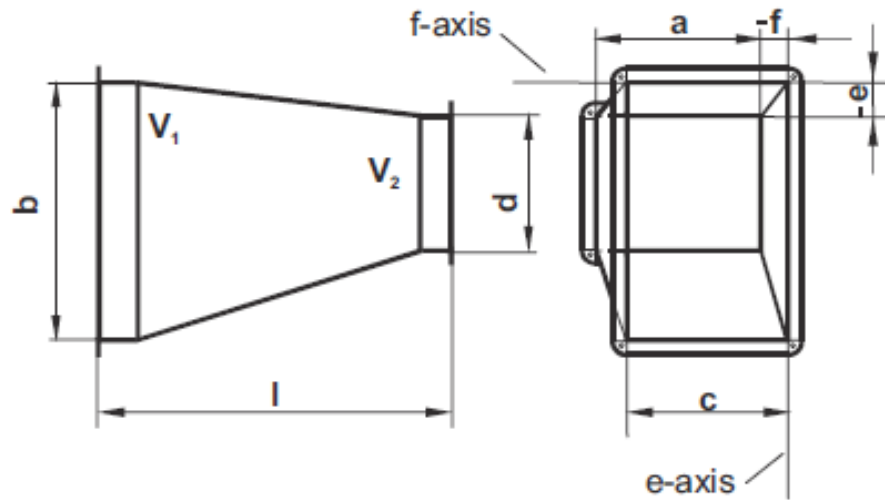
ASYMMETRICAL ELBOW



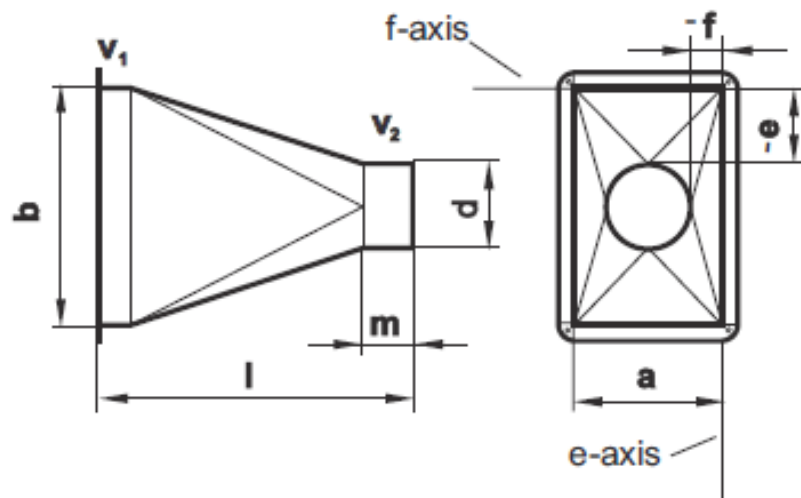
SYMMETRICAL REDUCER



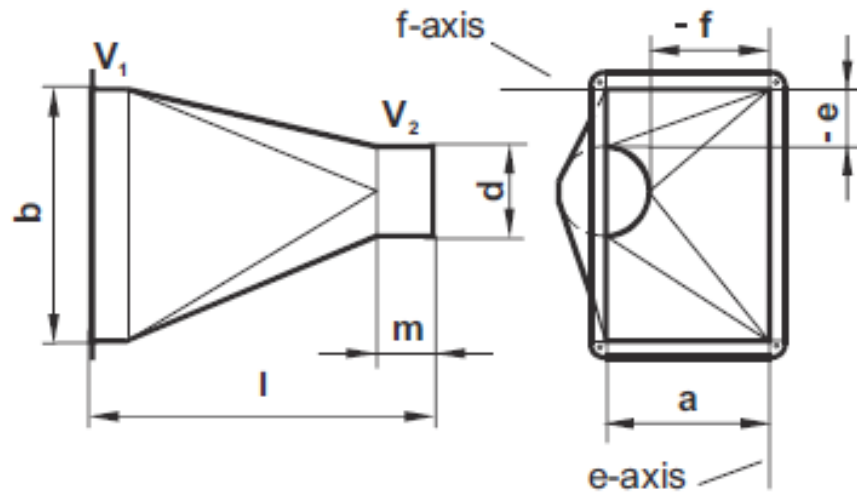
ASYMMETRICAL REDUCER



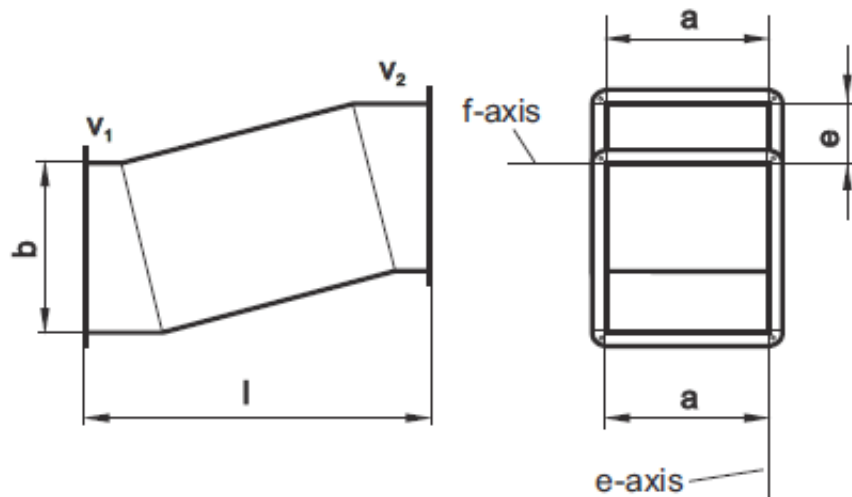
SYMMETRICAL DIFFUSER



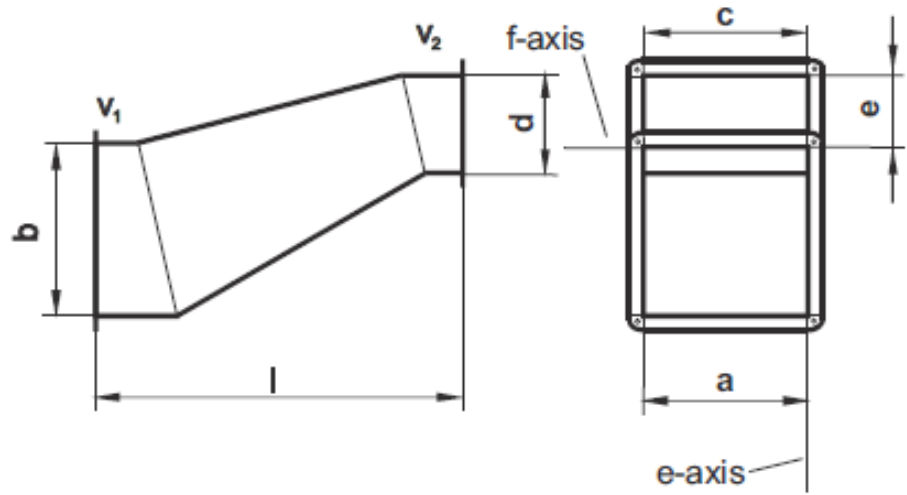
ASYMMETRICAL DIFFUSER



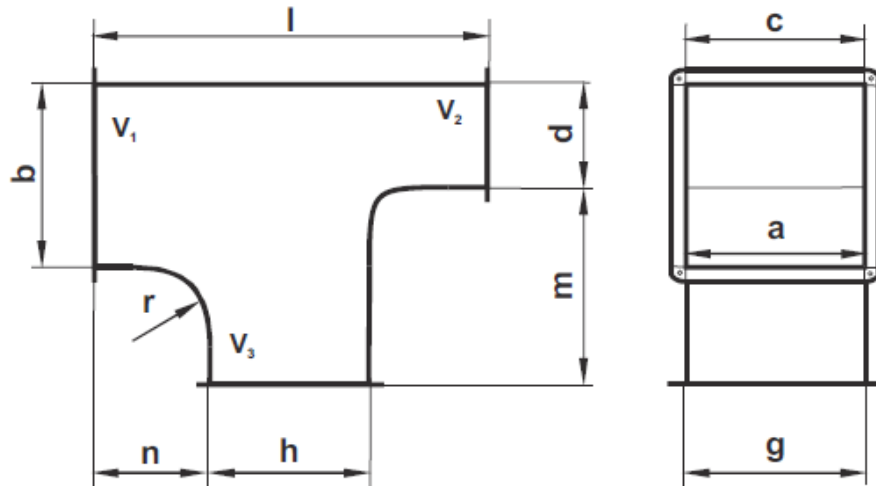
SYMMETRICAL OFFSET



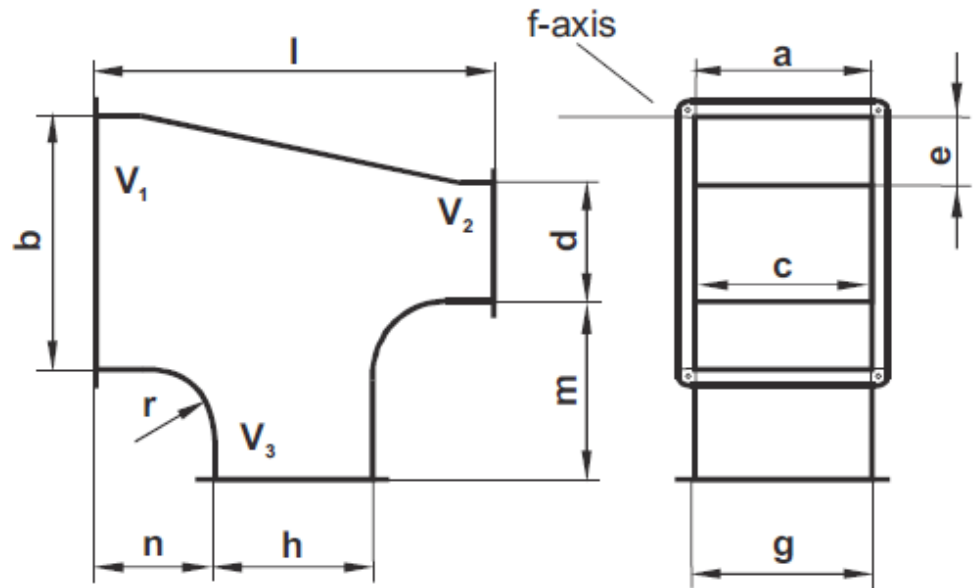
ASYMMETRICAL OFFSET



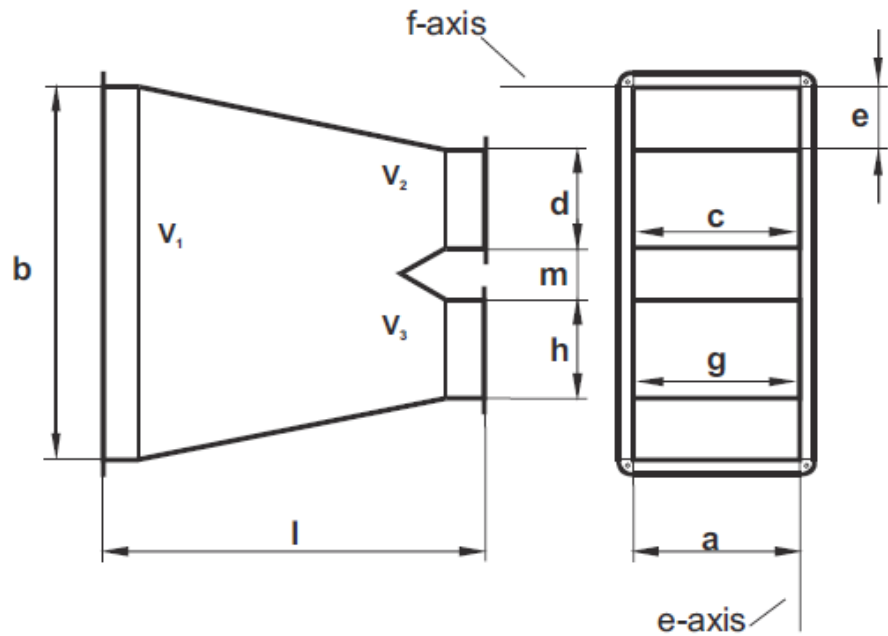
TEE-PIECE



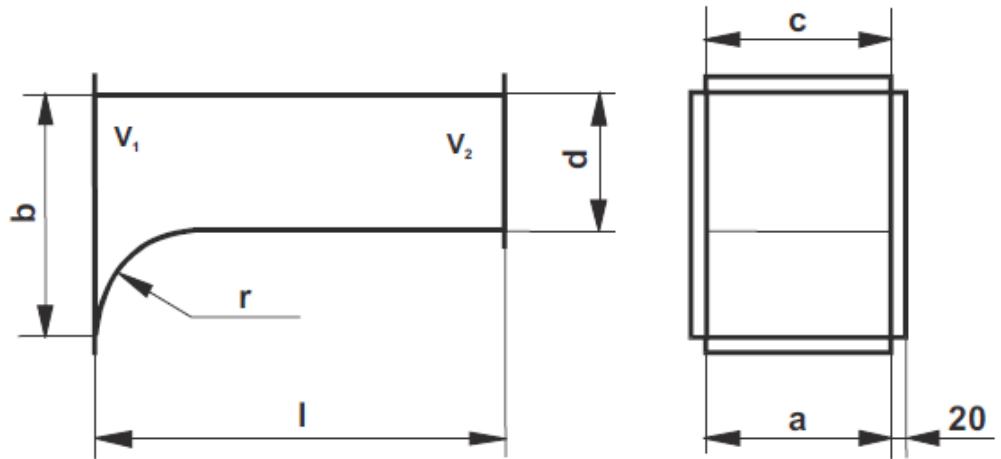
ASYMMETRICAL TEE-PIECE



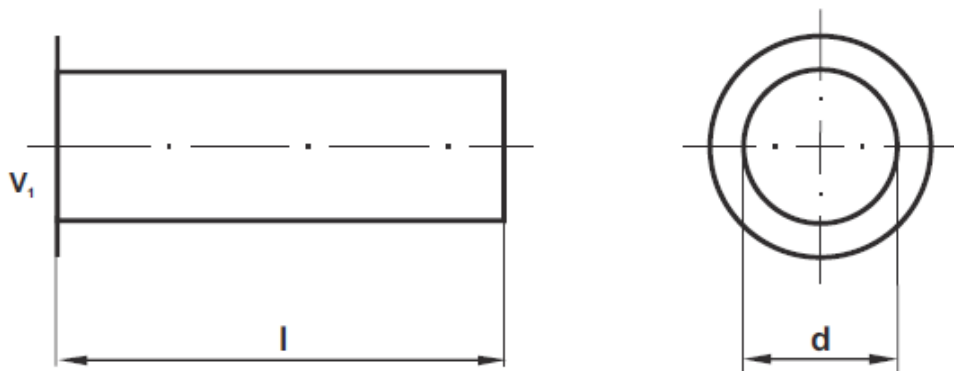
Y-PIECE



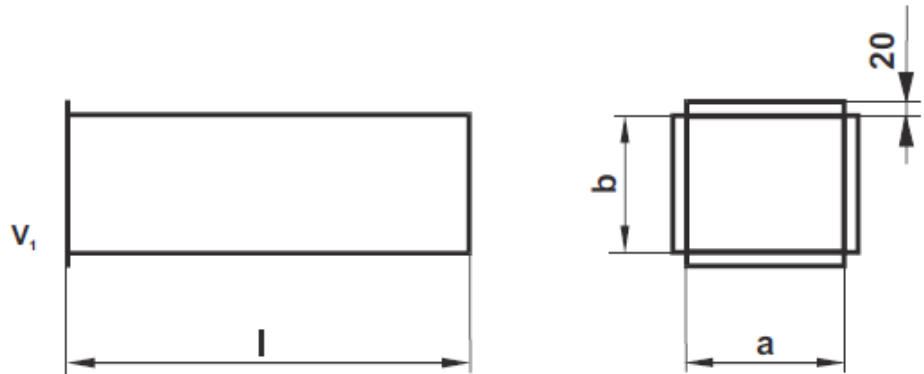
DIFFUSER TAKE-OFF PIECE



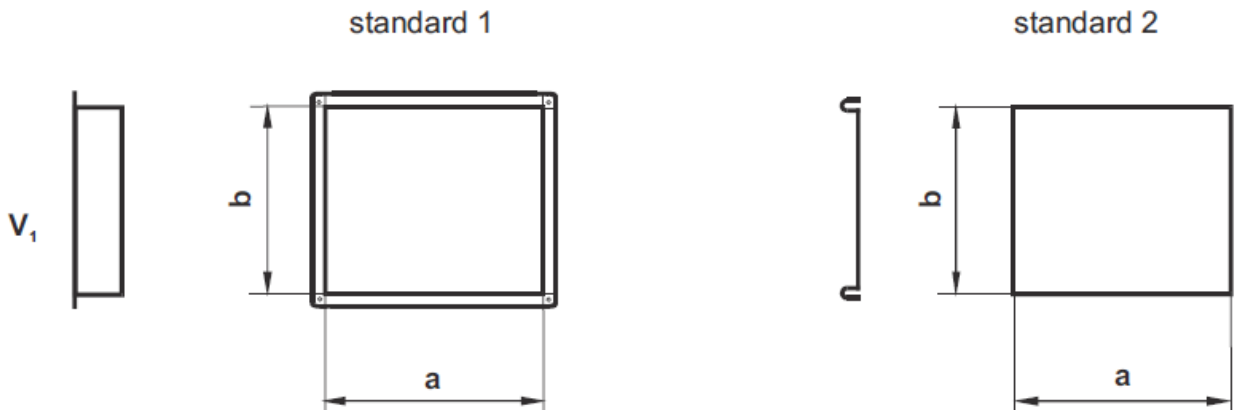
CYLINDRICAL TAKE-OFF PIECE



RECTANGULAR TAKE-OFF PIECE



PLUG



Rectangular ducts are produced:

- without isolation (standard)
- with external isolation made of mineral wool and galvanized steel sheet
- with internal mineral wool isolation

Circular ducts are produced as:

- spiro pipes
- form pieces and connection elements
- pipes and welded form.

Air ducts are made of:

- galvanized steel sheet
- stainless steel sheet
- black steel.